

# Pendiro PD 180

Whether the luminaire comes with an integrated ballast or with an external ballast for ceiling installation or for ceiling mounting, the Pendiro PD 180 luminaire family – formerly known as Pendo – is available in various sizes, shapes and technical set-ups to suit the particular lighting concept. Due to its very compact and unobtrusive



design, the Pendirol PD 180 integrates harmoniously into the room. If a striking, decorative lighting solution is required the suspended luminaires can also be fitted with various glass or fabric shades from the BÄRO design range. The Pendirol PD 180 is available with a variety of reflectors and can be fitted with all MBFL lamps

up to 100 watt and BBS lamps up to 70 watt. A new addition is an LED version that is available in four light colours. The luminaire is attached to the ceiling on the canopy, on 3-phase conductor rails or on a rail system. The Pendirol PD 180 N with external ballast can be suspended by up to two meters and suspension of up to

six meters is possible with the PD 180 with integrated ballast. The luminaires are made of powder-coated sheet steel and are available in all RAL colours as well as in strato silver, black and white.



Pendiro PD 180

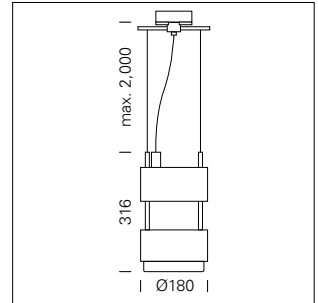


previous page . Rewe Dornseifer, Siegen (D)  
outer left . Metzgerei Kumpfmüller, Regensburg (D)  
top left . E center Römerstrasse, Ingolstadt (D)  
bottom left . Rewe Dornseifer, Siegen (D)  
right . Der Grissemann, Zams (A)



# Pendiro PD 180

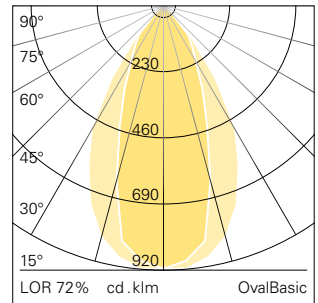
MBFL  
OvalBasic



**P PD180 S MOB**  
Suspended luminaire for high-pressure sodium-vapour discharge lamps, horizontal lamp, reflector with oval light distribution pattern, 99.95% pure aluminium reflector, silver reflector made of MIRO®, sheet steel luminaire housing, powder-coated, anodised aluminium micro-corrugated sheet, electronic ballast, tool-free lamp change

## Lighting technology

Lamp . Lampholder	MBFL . HST . GBX12-1
Lamp wattage	50 . 100 W
System power	62 . 112 W
Reflector	OvalBasic
Beam angle	40° x 60°
Reflector colours	Silver . Nickel-silver



## Luminaire

Weight	2.8 kg
Protection rating . Protection class	IP 20 . I
Luminaire colours	■ ■ □

MBFL	50 W		100 W	
1	0.70	1.20	2,202	4,497
2	1.40	2.40	551	1,124
3	2.10	3.60	245	500
4	2.80	4.80	138	281
5	3.50	6.00	88	180
h (m)	Ø (m)		E (lx)	

## Including

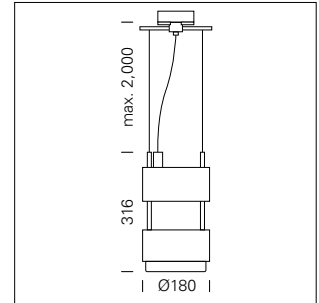
Connection set

## Optional

- Lamps
- RAL colours
- Filter discs
- Decorative cylinder . Glass shades
- Fabric shades

# Pendiro PD 180

MBFL  
OvalBeam

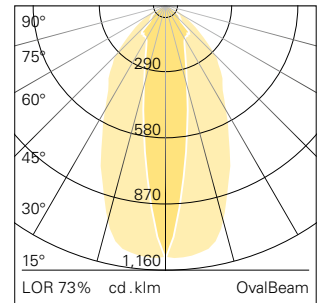


## P PD180 S MOM

Suspended luminaire for high-pressure sodium-vapour discharge lamps, horizontal lamp, reflector with elongated oval light distribution pattern, 99.95% pure aluminium reflector made of MIRO®, sheet steel luminaire housing, powder-coated, anodised aluminium micro-corrugated sheet, electronic ballast, tool-free lamp change

## Lighting technology

Lamp . Lampholder MBFL . HST . GBX12-1  
Lamp wattage 50 . 100 W  
System power 62 . 112 W  
Reflector OvalBeam  
Beam angle 20° x 60°  
Reflector colours Silver



## Luminaire

Weight 2.8 kg  
Protection rating . Protection class IP 20 . I  
Luminaire colours ■ ■ ■

MBFL	50 W		100 W	
1	0.35	1.10	2,713	5,539
2	0.70	2.20	678	1,384
3	1.05	3.30	302	616
4	1.40	4.40	170	346
5	1.75	5.50	109	222
h (m)	Ø (m)		E (lx)	

## Including

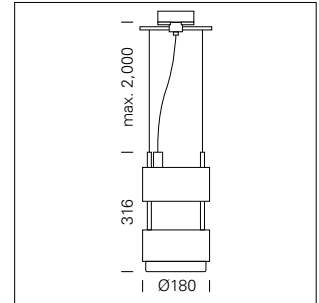
Connection set

## Optional

Lamps  
RAL colours  
Filter discs  
Decorative cylinder . Glass shades  
Fabric shades

# Pendiro PD 180

BBS . e-BFL  
OvalBasic

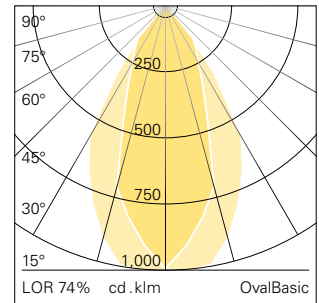


## P PD180 S BOB

Suspended luminaire for metal halide lamps, horizontal lamp, reflector with oval light distribution pattern, 99.95% pure aluminium reflector, silver reflector made of MIRO®, sheet steel luminaire housing, powder-coated, anodised aluminium micro-corrugated sheet, electronic ballast, tool-free lamp change

## Lighting technology

Lamp . Lampholder BBS . e-BFL . HIT G12  
Lamp wattage 35 . 50 . 70 . 100 W  
System power 43 . 56 . 80 . 109 W  
Reflector OvalBasic  
Beam angle 40° x 60°  
Reflector colours Silver . Nickel-silver



## Luminaire

Weight 2.5 kg  
Protection rating . Protection class IP 20 . I  
Luminaire colours

BBS	35W		50W	
1	0.70	1.20	4,061	5,482
2	1.40	2.40	1,015	1,371
3	2.10	3.60	451	609
4	2.80	4.80	254	343
5	3.50	6.00	162	219
h (m)	Ø (m)		E (lx)	

## Note

The luminaire must be used with protective glass or a filter disc

## Including

Connection set  
Protective glass

BBS	70W		100W	
1	0.70	1.20	7,919	11,167
2	1.40	2.40	1,980	2,792
3	2.10	3.60	890	1,241
4	2.80	4.80	495	698
5	3.50	6.00	316	447
h (m)	Ø (m)		E (lx)	

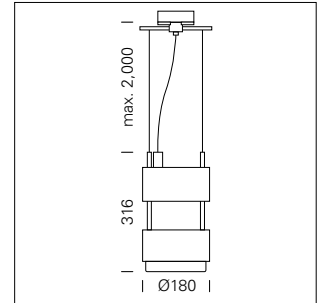
## Optional

Lamps  
RAL colours  
Filter discs  
Decorative cylinder . Glass shades  
Fabric shades

e-BFL	50W		70W	
1	0.70	1.20	4,061	6,091
2	1.40	2.40	1,015	1,523
3	2.10	3.60	451	677
4	2.80	4.80	254	381
5	3.50	6.00	162	244
h (m)	Ø (m)		E (lx)	

# Pendiro PD 180

BBS . e-BFL  
OvalBeam

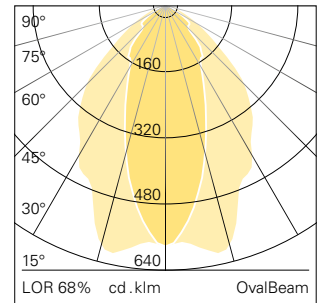


## P PD180 S BOM

Suspended luminaire for metal halide lamps, horizontal lamp, reflector with elongated oval light distribution pattern, 99.95% pure aluminium reflector made of MIRO®, sheet steel luminaire housing, powder-coated, anodised aluminium micro-corrugated sheet, electronic ballast, tool-free lamp change

## Lighting technology

Lamp . Lampholder BBS . e-BFL . HIT G12  
Lamp wattage 35 . 50 . 70 . 100 W  
System power 43 . 56 . 80 . 109 W  
Reflector OvalBeam  
Beam angle 40° x 80°  
Reflector colours Silver



## Luminaire

Weight 2.5 kg  
Protection rating . Protection class IP 20 . I  
Luminaire colours

BBS	35W		50W	
1	0.70	1.75	2,411	3,255
2	1.40	3.50	603	814
3	2.10	5.25	268	362
4	2.80	7.00	151	203
5	3.50	8.75	96	130
h (m)	Ø (m)		E (lx)	

## Note

The luminaire must be used with protective glass or a filter disc

## Including

Connection set  
Protective glass

BBS	70W		100W	
1	0.70	1.75	4,701	6,630
2	1.40	3.50	1,175	1,658
3	2.10	5.25	522	737
4	2.80	7.00	294	414
5	3.50	8.75	188	265
h (m)	Ø (m)		E (lx)	

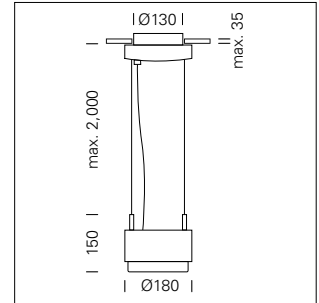
## Optional

Lamps  
RAL colours  
Filter discs  
Decorative cylinder . Glass shades  
Fabric shades

e-BFL	50W		70W	
1	0.70	1.75	2,411	3,617
2	1.40	3.50	603	904
3	2.10	5.25	268	402
4	2.80	7.00	151	226
5	3.50	8.75	96	145
h (m)	Ø (m)		E (lx)	

# Pendiro PD 180 N

LED  
OvalBasic

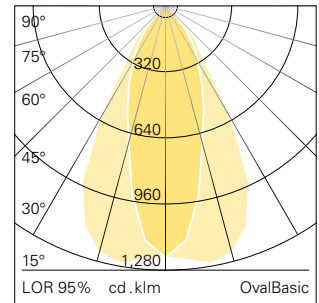


## P PD180 N LOB

Suspended luminaire for LED arrays, active cooling, reflector with oval light distribution pattern, 99.99% pure aluminium reflector made of MIRO®, sheet steel luminaire housing, powder-coated, anodised aluminium micro-corrugated sheet, separate driver unit for ceiling installation 220-240 V, 50-60 Hz

## Lighting technology

Design	Array 35
Light colour	2,500 . 2,700 . 3,000 . 4,000 K
Utilised flux	2,096 . 2,024 . 2,817 . 3,047 lm
System power	46 W
Reflector	Oval Basic
Beam angle	36° x 60°
Reflector colours	Silver



## Luminaire

Weight	2.1 kg
Protection rating . Protection class	IP 20 . I
Luminaire colours	■ ■ □

LED	2,500 K	2,700 K
1	0.65 . 1.15	2,854
2	1.30 . 2.30	714
3	1.95 . 3.45	317
4	2.60 . 4.60	178
5	3.15 . 5.75	114
h (m)	Ø (m)	E (lx)

## Including

- Driver unit
- Feed-through wiring set
- Connection set

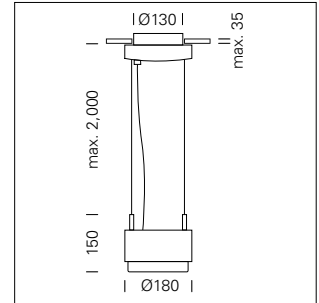
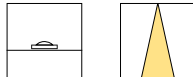
LED	3,000 K	4,000 K
1	0.65 . 1.15	3,932 . 4,025
2	1.30 . 2.30	983 . 1,006
3	1.95 . 3.45	437 . 447
4	2.60 . 4.60	246 . 252
5	3.15 . 5.75	157 . 161
h (m)	Ø (m)	E (lx)

## Optional

- Lamps
- RAL colours
- Decorative cylinder . Glass shades
- Fabric shades

# Pendiro PD 180 N

LED  
Flood 30°

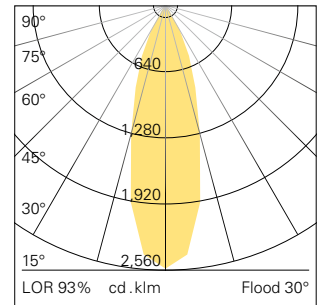


## P PD180 N LFL

Suspended luminaire for LED arrays, active cooling, rotationally symmetrical reflector with circular light distribution pattern, 99.99% pure aluminium reflector made of MIRO®, sheet steel luminaire housing, powder-coated, anodised aluminium micro-corrugated sheet, separate driver unit for ceiling installation 220-240 V, 50-60 Hz

## Lighting technology

Design	Array 35
Light colour	2,500 . 2,700 . 3,000 . 4,000 K
Utilised flux	2,000 . 2,070 . 2,755 . 2,957 lm
System power	46 W
Reflector	Flood
Beam angle	30°
Reflector colours	Silver



## Luminaire

Weight	2.1 kg
Protection rating . Protection class	IP 20 . I
Luminaire colours	■ ■ □

LED	2,500 K	2,700 K
1	0.55	6,139
2	1.10	1,535
3	1.65	682
4	2.20	384
5	2.75	246
h (m)	Ø (m)	E (lx)

## Including

- Driver unit
- Feed-through wiring set
- Connection set

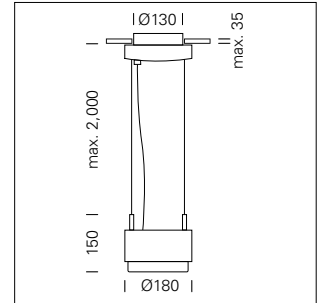
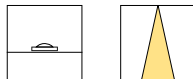
LED	3,000 K	4,000 K
1	0.55	8,306 9,319
2	1.10	2,076 2,330
3	1.65	923 1,035
4	2.20	519 582
5	2.75	332 373
h (m)	Ø (m)	E (lx)

## Optional

- Lamps
- RAL colours
- Decorative cylinder . Glass shades
- Fabric shades

# Pendiro PD 180 N

LED  
Flood 45°

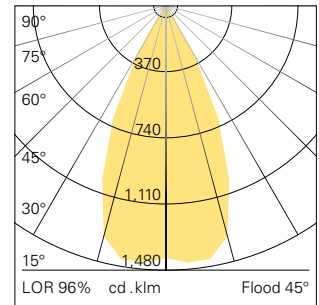


## P PD180 N LFL

Suspended luminaire for LED arrays, active cooling, rotationally symmetrical reflector with circular light distribution pattern, 99.99% pure aluminium reflector made of MIRO®, sheet steel luminaire housing, powder-coated, anodised aluminium micro-corrugated sheet, separate driver unit for ceiling installation 220-240 V, 50-60 Hz

## Lighting technology

Design	Array 35
Light colour	2,500 . 2,700 . 3,000 . 4,000 K
Utilised flux	2,134 . 2,121 . 2,839 . 3,025 lm
System power	46 W
Reflector	Flood
Beam angle	45°
Reflector colours	Silver



## Luminaire

Weight	2.1 kg
Protection rating . Protection class	IP 20 . I
Luminaire colours	■ ■ □

LED	2,500 K	2,700 K
1	0.90	3,190
2	1.80	797
3	2.70	354
4	3.60	199
5	4.50	127
h (m)	Ø (m)	E (lx)

## Including

- Driver unit
- Feed-through wiring set
- Connection set

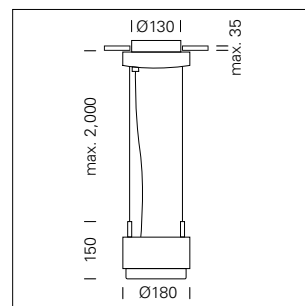
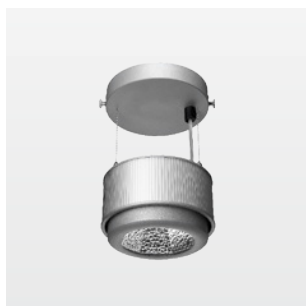
LED	3,000 K	4,000 K
1	0.90	4,614 4,885
2	1.80	1,154 1,221
3	2.70	513 543
4	3.60	288 305
5	4.50	185 195
h (m)	Ø (m)	E (lx)

## Optional

- Lamps
- RAL colours
- Decorative cylinder . Glass shades
- Fabric shades

# Pendiro PD 180 N

MBFL  
OvalBasic

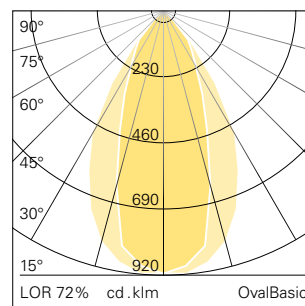


## P PD180 N MOB

Suspended luminaire for high-pressure sodium-vapour discharge lamps, horizontal lamp, reflector with oval light distribution pattern, 99.95% pure aluminium reflector, silver reflector made of MIRO®, sheet steel luminaire housing, powder-coated, anodised aluminium micro-corrugated sheet, separate electronic ballast for ceiling installation, tool-free lamp change

## Lighting technology

Lamp . Lampholder MBFL . HST . GBX12-1  
Lamp wattage 50 . 100 W  
System power 62 . 112 W  
Reflector OvalBasic  
Beam angle 40° x 60°  
Reflector colours Silver . Nickel-silver



## Luminaire

Weight 2.0 kg  
Protection rating . Protection class IP 20 . I  
Luminaire colours ■ ■ ■

MBFL		50 W		100 W	
1	0.70 . 1.20	2,202	4,497		
2	1.40 . 2.40	551	1,124		
3	2.10 . 3.60	245	500		
4	2.80 . 4.80	138	281		
5	3.50 . 6.00	88	180		
h (m)	Ø (m)	E (lx)			

## Including

Electronic ballast  
Feed-through wiring set  
Connection set

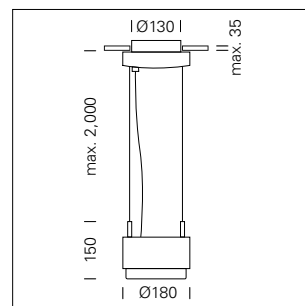
## Optional

Lamps  
RAL colours  
Filter discs  
Decorative cylinder . Glass shades  
Fabric shades

# Pendiro PD 180 N

MBFL

OvalBeam

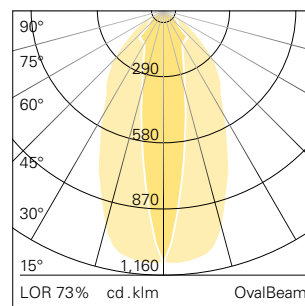


## P PD180 N MOM

Suspended luminaire for high-pressure sodium-vapour discharge lamps, horizontal lamp, reflector with elongated oval light distribution pattern, 99.95% pure aluminium reflector made of MIRO®, sheet steel luminaire housing, powder-coated, anodised aluminium micro-corrugated sheet, separate electronic ballast for ceiling installation, tool-free lamp change

## Lighting technology

Lamp . Lampholder MBFL . HST . GBX12-1  
Lamp wattage 50 . 100 W  
System power 62 . 112 W  
Reflector OvalBeam  
Beam angle 20° x 60°  
Reflector colours Silver



## Luminaire

Weight 2.0 kg  
Protection rating . Protection class IP 20 . I  
Luminaire colours ■ ■ ■

MBFL		50 W		100 W	
1	0.35 . 1.10	2,713	5,539		
2	0.70 . 2.20	678	1,384		
3	1.05 . 3.30	302	616		
4	1.40 . 4.40	170	346		
5	1.75 . 5.50	109	222		
h (m)	Ø (m)			E (lx)	

## Including

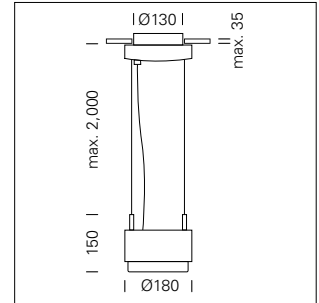
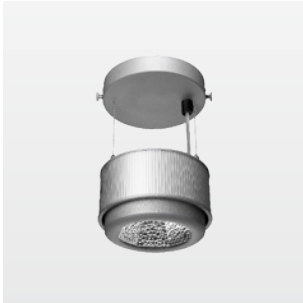
Electronic ballast  
Feed-through wiring set  
Connection set

## Optional

Lamps  
RAL colours  
Filter discs  
Decorative cylinder . Glass shades  
Fabric shades

# Pendiro PD 180 N

BBS . e-BFL  
OvalBasic

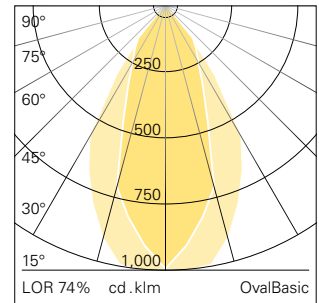


## P PD180 N BOB

Suspended luminaire for metal halide lamps, horizontal lamp, reflector with oval light distribution pattern, 99.95% pure aluminium reflector, silver reflector made of MIRO®, sheet steel luminaire housing, powder-coated, anodised aluminium micro-corrugated sheet, separate electronic ballast for ceiling installation, tool-free lamp change

## Lighting technology

Lamp . Lampholder BBS . e-BFL . HIT G12  
Lamp wattage 35 . 50 . 70 . 100 W  
System power 43 . 56 . 80 . 109 W  
Reflector OvalBasic  
Beam angle 40° x 60°  
Reflector colours Silver . Nickel-silver



## Luminaire

Weight 1.7 kg  
Protection rating . Protection class IP 20 . I  
Luminaire colours

BBS	35W		50W	
1	0.70	1.20	4,061	5,482
2	1.40	2.40	1,015	1,371
3	2.10	3.60	451	609
4	2.80	4.80	254	343
5	3.50	6.00	162	219
h (m)	Ø (m)		E (lx)	

## Note

The luminaire must be used with protective glass or a filter disc

## Including

Electronic ballast  
Feed-through wiring set  
Connection set  
Protective glass

BBS	70W		100W	
1	0.70	1.20	7,919	11,167
2	1.40	2.40	1,980	2,792
3	2.10	3.60	890	1,241
4	2.80	4.80	495	698
5	3.50	6.00	316	447
h (m)	Ø (m)		E (lx)	

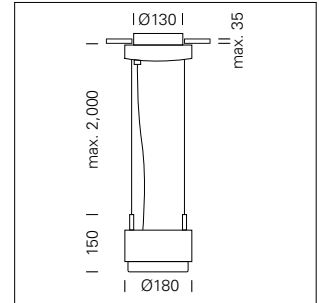
## Optional

Lamps  
RAL colours  
Filter discs  
Decorative cylinder . Glass shades  
Fabric shades

e-BFL	50W		70W	
1	0.70	1.20	4,061	6,091
2	1.40	2.40	1,015	1,523
3	2.10	3.60	451	677
4	2.80	4.80	254	381
5	3.50	6.00	162	244
h (m)	Ø (m)		E (lx)	

# Pendiro PD 180 N

BBS . e-BFL  
OvalBeam

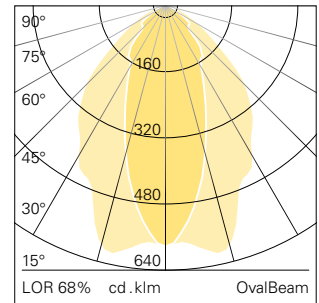


## P PD180 N BOM

Suspended luminaire for metal halide lamps, horizontal lamp, reflector with elongated oval light distribution pattern, 99.95% pure aluminium reflector made of MIRO®, sheet steel luminaire housing, powder-coated, anodised aluminium micro-corrugated sheet, separate electronic ballast for ceiling installation, tool-free lamp change

## Lighting technology

Lamp . Lampholder BBS . e-BFL . HIT G12  
Lamp wattage 35 . 50 . 70 . 100 W  
System power 43 . 56 . 80 . 109 W  
Reflector OvalBeam  
Beam angle 40° x 80°  
Reflector colours Silver



## Luminaire

Weight 1.7 kg  
Protection rating . Protection class IP 20 . I  
Luminaire colours

BBS	35W	50W
1	0.70 . 1.75	2,411 3,255
2	1.40 . 3.50	603 814
3	2.10 . 5.25	268 362
4	2.80 . 7.00	151 203
5	3.50 . 8.75	96 130
h (m)	Ø (m)	E (lx)

## Note

The luminaire must be used with protective glass or a filter disc

## Including

Electronic ballast  
Feed-through wiring set  
Connection set  
Protective glass

BBS	70W	100W
1	0.70 . 1.75	4,701 6,630
2	1.40 . 3.50	1,175 1,658
3	2.10 . 5.25	522 737
4	2.80 . 7.00	294 414
5	3.50 . 8.75	188 265
h (m)	Ø (m)	E (lx)

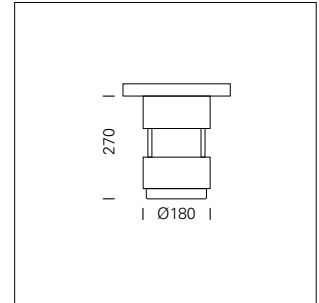
## Optional

Lamps  
RAL colours  
Filter discs  
Decorative cylinder . Glass shades  
Fabric shades

e-BFL	50W	70W
1	0.70 . 1.75	2,411 3,617
2	1.40 . 3.50	603 904
3	2.10 . 5.25	268 402
4	2.80 . 7.00	151 226
5	3.50 . 8.75	96 145
h (m)	Ø (m)	E (lx)

# Pendiro PD 180 C

MBFL  
OvalBasic

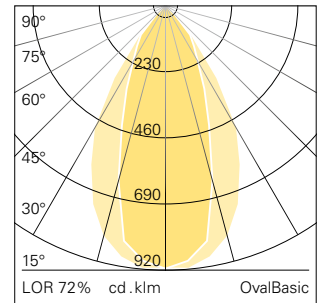


## P PD180 C MOB

Surface-mounted luminaire for high-pressure sodium-vapour discharge lamps, horizontal lamp, reflector with oval light distribution pattern, 99.95% pure aluminium reflector, silver reflector made of MIRO®, sheet steel luminaire housing, powder-coated, anodised aluminium micro-corrugated sheet, electronic ballast, free cable end, tool-free lamp change

## Lighting technology

Lamp . Lampholder	MBFL . HST . GBX12-1
Lamp wattage	50 . 100 W
System power	62 . 112 W
Reflector	OvalBasic
Beam angle	40° x 60°
Reflector colours	Silver . Nickel-silver



## Luminaire

Weight	3.2 kg
Protection rating . Protection class	IP 20 . I
Luminaire colours	■ ■ □

MBFL	50 W		100 W	
1	0.70	1.20	2,202	4,497
2	1.40	2.40	551	1,124
3	2.10	3.60	245	500
4	2.80	4.80	138	281
5	3.50	6.00	88	180
h (m)	Ø (m)		E (lx)	

## Including

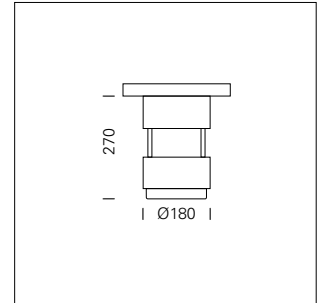
Fixing set for ceiling mounting

## Optional

- Lamps
- RAL colours
- Filter discs
- Decorative cylinder . Glass shades
- Fabric shades

# Pendiro PD 180 C

MBFL  
OvalBeam

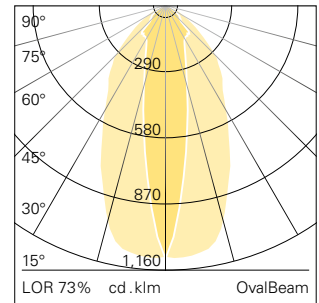


## P PD180 C MOM

Surface-mounted luminaire for high-pressure sodium-vapour discharge lamps, horizontal lamp, reflector with elongated oval light distribution pattern, 99.95% pure aluminium reflector made of MIRO®, sheet steel luminaire housing, powder-coated, anodised aluminium micro-corrugated sheet, electronic ballast, free cable end, tool-free lamp change

## Lighting technology

Lamp . Lampholder MBFL . HST . GBX12-1  
Lamp wattage 50 . 100 W  
System power 62 . 112 W  
Reflector OvalBeam  
Beam angle 20° x 60°  
Reflector colours Silver



## Luminaire

Weight 3.2 kg  
Protection rating . Protection class IP 20 . I  
Luminaire colours ■ ■ ■

MBFL	50 W		100 W	
1	0.35	1.10	2,713	5,539
2	0.70	2.20	678	1,384
3	1.05	3.30	302	616
4	1.40	4.40	170	346
5	1.75	5.50	109	222
h (m)	Ø (m)		E (lx)	

## Including

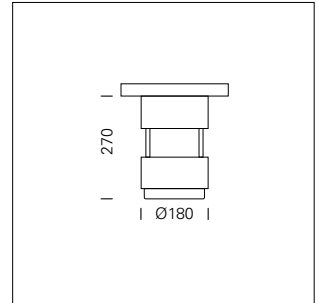
Fixing set for ceiling mounting

## Optional

Lamps  
RAL colours  
Filter discs  
Decorative cylinder . Glass shades  
Fabric shades

# Pendiro PD 180 C

BBS . e-BFL  
OvalBasic

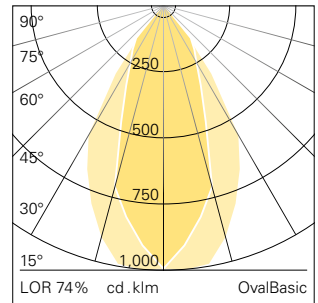


## P PD180 C BOB

Surface-mounted luminaire for metal halide lamps, horizontal lamp, reflector with oval light distribution pattern, 99.95% pure aluminium reflector, silver reflector made of MIRO®, sheet steel luminaire housing, powder-coated, anodised aluminium micro-corrugated sheet, electronic ballast, free cable end, tool-free lamp change

## Lighting technology

Lamp . Lampholder BBS . e-BFL . HIT G12  
Lamp wattage 35 . 50 . 70 . 100 W  
System power 43 . 56 . 80 . 109 W  
Reflector OvalBasic  
Beam angle 40° x 60°  
Reflector colours Silver . Nickel-silver



## Luminaire

Weight 2.9 kg  
Protection rating . Protection class IP 20 . I  
Luminaire colours

BBS	35W		50W	
1	0.70	1.20	4,061	5,482
2	1.40	2.40	1,015	1,371
3	2.10	3.60	451	609
4	2.80	4.80	254	343
5	3.50	6.00	162	219
h (m)	Ø (m)		E (lx)	

## Note

The luminaire must be used with protective glass or a filter disc

## Including

Fixing set for ceiling mounting  
Protective glass

BBS	70W		100W	
1	0.70	1.20	7,919	11,167
2	1.40	2.40	1,980	2,792
3	2.10	3.60	890	1,241
4	2.80	4.80	495	698
5	3.50	6.00	316	447
h (m)	Ø (m)		E (lx)	

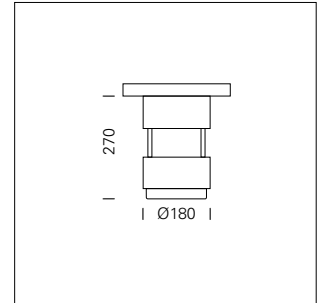
## Optional

Lamps  
RAL colours  
Filter discs  
Decorative cylinder . Glass shades  
Fabric shades

e-BFL	50W		70W	
1	0.70	1.20	4,061	6,091
2	1.40	2.40	1,015	1,523
3	2.10	3.60	451	677
4	2.80	4.80	254	381
5	3.50	6.00	162	244
h (m)	Ø (m)		E (lx)	

# Pendiro PD 180 C

BBS . e-BFL  
OvalBeam



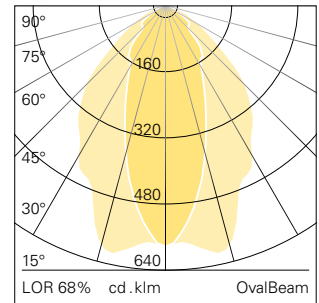
## P PD180 C BOM

Surface-mounted luminaire for metal halide lamps, horizontal lamp, reflector with elongated oval light distribution pattern, 99.95% pure aluminium reflector made of MIRO®, sheet steel luminaire housing, powder-coated, anodised aluminium micro-corrugated sheet, electronic ballast, free cable end, tool-free lamp change

## Lighting technology

Lamp . Lampholder  
Lamp wattage  
System power  
Reflector  
Beam angle  
Reflector colours

BBS . e-BFL . HIT G12  
35 . 50 . 70 . 100 W  
43 . 56 . 80 . 109 W  
OvalBeam  
40° x 80°  
Silver



## Luminaire

Weight  
Protection rating . Protection class  
Luminaire colours

2.9 kg  
IP 20 . I  
■ ■ ■

BBS		35W	50W
1	0.70 . 1.75	2,411	3,255
2	1.40 . 3.50	603	814
3	2.10 . 5.25	268	362
4	2.80 . 7.00	151	203
5	3.50 . 8.75	96	130
h (m)	Ø (m)	E (lx)	

## Note

The luminaire must be used with protective glass or a filter disc

## Including

Fixing set for ceiling mounting  
Protective glass

BBS		70W	100W
1	0.70 . 1.75	4,701	6,630
2	1.40 . 3.50	1,175	1,658
3	2.10 . 5.25	522	737
4	2.80 . 7.00	294	414
5	3.50 . 8.75	188	265
h (m)	Ø (m)	E (lx)	

## Optional

Lamps  
RAL colours  
Filter discs  
Decorative cylinder . Glass shades  
Fabric shades

e-BFL		50W	70W
1	0.70 . 1.75	2,411	3,617
2	1.40 . 3.50	603	904
3	2.10 . 5.25	268	402
4	2.80 . 7.00	151	226
5	3.50 . 8.75	96	145
h (m)	Ø (m)	E (lx)	