

## Pendiro CP 303

LED Flood

### LIGHTING TECHNOLOGY

Design	COB Array
Correlated colour temperature	2,700 . 3,000 . 4,000 K
Utilised flux	3,730 . 3,920 . 4,150 lm
System power	48 W
Light efficiency	78 . 82 . 86 lm/W
Reflector	Flood
Beam angle	39°
Reflector colours	Silver

### LUMINAIRE

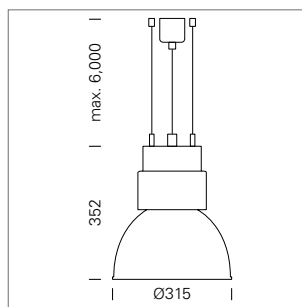
Weight	3.4 kg
Protection rating . Protection class	IP 20 . I
Luminaire colours	■ ■ □

### ORDER NUMBER

	■	■	□
2,700 K	8009 0007	8009 0010	8009 0013
3,000 K	8009 0008	8009 0011	8009 0014
4,000 K	8009 0009	8009 0012	8009 0015

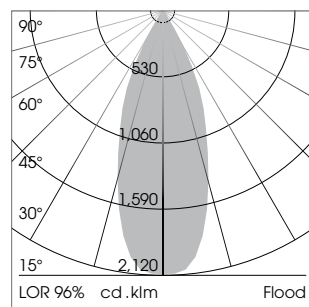
### OPTIONAL

RAL colours  
Filter discs  
Mounting accessories



Suspended luminaire with LED array, active cooling, thermal protection for LEDs, rated life of the LED L80/B10 > 60,000 h, colour rendering index CRI > 80, colour tolerance 3 SDCM (initial), axially symmetrical reflector with circular light distribution pattern, 99.99% pure aluminium reflector made of MIRO-SILVER®, luminaire insert infinitely adjustable, sheet steel luminaire housing, aluminium shade, powder-coated, driver unit 220-240 V, 50/60 Hz

Note: All data are typical values and can be changed by technical innovations. This changes will be made without separate notification



LED 48 W		2,700 K	
1	0.70	8,340	
2	1.40	2,085	
3	2.10	927	
4	2.80	522	
5	3.50	334	
h (m)	Ø (m)	E (lx)	

LED 48 W		3,000 K		4,000 K	
1	0.70	8,748	9,274		
2	1.40	2,187	2,319		
3	2.10	972	1,031		
4	2.80	547	580		
5	3.50	350	371		
h (m)	Ø (m)	E (lx)			



# Pendiro CP 303

LED OvalBasic

### LIGHTING TECHNOLOGY

Design	COB Array
Correlated colour temperature	2,700 . 3,000 . 4,000 K
Utilised flux	3,580 . 3,750 . 3,980 lm
System power	48 W
Light efficiency	75 . 78 . 83 lm/W
Reflector	OvalBasic
Beam angle	34° x 58°
Reflector colours	Silver

### LUMINAIRE

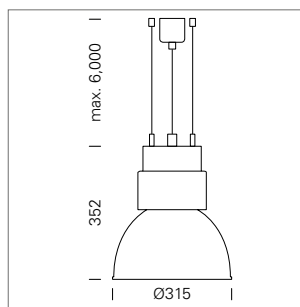
Weight	3.4 kg
Protection rating . Protection class	IP 20 . I
Luminaire colours	■ ■ □

### ORDER NUMBER

	■	■	□
2,700 K	8010 0007	8010 0010	8010 0013
3,000 K	8010 0008	8010 0011	8010 0014
4,000 K	8010 0009	8010 0012	8010 0015

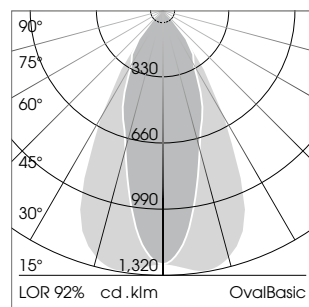
### OPTIONAL

RAL colours  
Filter discs  
Mounting accessories



Suspended luminaire for LED arrays, active cooling, thermal protection for LEDs, rated life of the LED L80/B10 > 60,000 h, colour rendering index CRI > 80, colour tolerance 3 SDCM (initial), reflector with oval light distribution pattern, 99.99% pure aluminium reflector made of MIRO-SILVER®, luminaire insert infinitely adjustable, sheet steel luminaire housing, aluminium shade, powder-coated, driver unit 220-240 V, 50/60 Hz

Note: All data are typical values and can be changed by technical innovations. This changes will be made without separate notification



LED 48 W		2,700 K
1	0.60 . 1.10	4,800
2	1.20 . 2.20	1,200
3	1.80 . 3.30	534
4	2.40 . 4.40	300
5	3.00 . 5.50	192
h (m)	Ø (m)	E (lx)

LED 48 W		3,000 K	4,000 K
1	0.60 . 1.10	5,035	5,338
2	1.20 . 2.20	1,259	1,335
3	1.80 . 3.30	560	594
4	2.40 . 4.40	315	334
5	3.00 . 5.50	202	214
h (m)	Ø (m)	E (lx)	



## Pendiro CP 303

LED Spot

### LIGHTING TECHNOLOGY

Design	COB Array
Correlated colour temperature	2,700 . 3,000 . 4,000 K
Utilised flux	3,730 . 3,920 . 4,150 lm
System power	48 W
Light efficiency	78 . 82 . 86 lm/W
Reflector	Spot
Beam angle	19°
Reflector colours	Silver

### LUMINAIRE

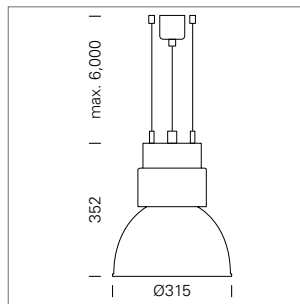
Weight	3.4 kg
Protection rating . Protection class	IP 20 . I
Luminaire colours	■ ■ □

### ORDER NUMBER

	■	■	□
2,700 K	8011 0007	8011 0010	8011 0013
3,000 K	8011 0008	8011 0011	8011 0014
4,000 K	8011 0009	8011 0012	8011 0015

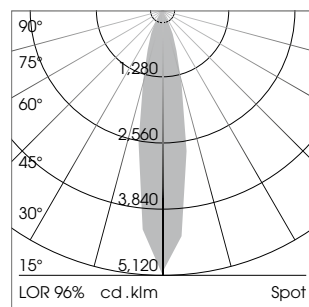
### OPTIONAL

RAL colours  
Filter discs  
Mounting accessories



Suspended luminaire with LED array, active cooling, thermal protection for LEDs, rated life of the LED L80/B10 > 60,000 h, colour rendering index CRI > 80, colour tolerance 3 SDCM (initial), axially symmetrical reflector with circular light distribution pattern, 99.99% pure aluminium reflector made of MIRO-SILVER®, luminaire insert infinitely adjustable, sheet steel luminaire housing, aluminium shade, powder-coated, driver unit 220-240 V, 50/60 Hz

Note: All data are typical values and can be changed by technical innovations. This changes will be made without separate notification



LED 48 W		2,700 K
1	0.40	19,860
2	0.80	4,965
3	1.20	2,207
4	1.60	1,242
5	2.00	795
h (m)	Ø (m)	E (lx)

LED 48 W		3,000 K	4,000 K
1	0.40	20,831	22,084
2	0.80	5,208	5,521
3	1.20	2,315	2,454
4	1.60	1,302	1,381
5	2.00	834	884
h (m)	Ø (m)	E (lx)	

