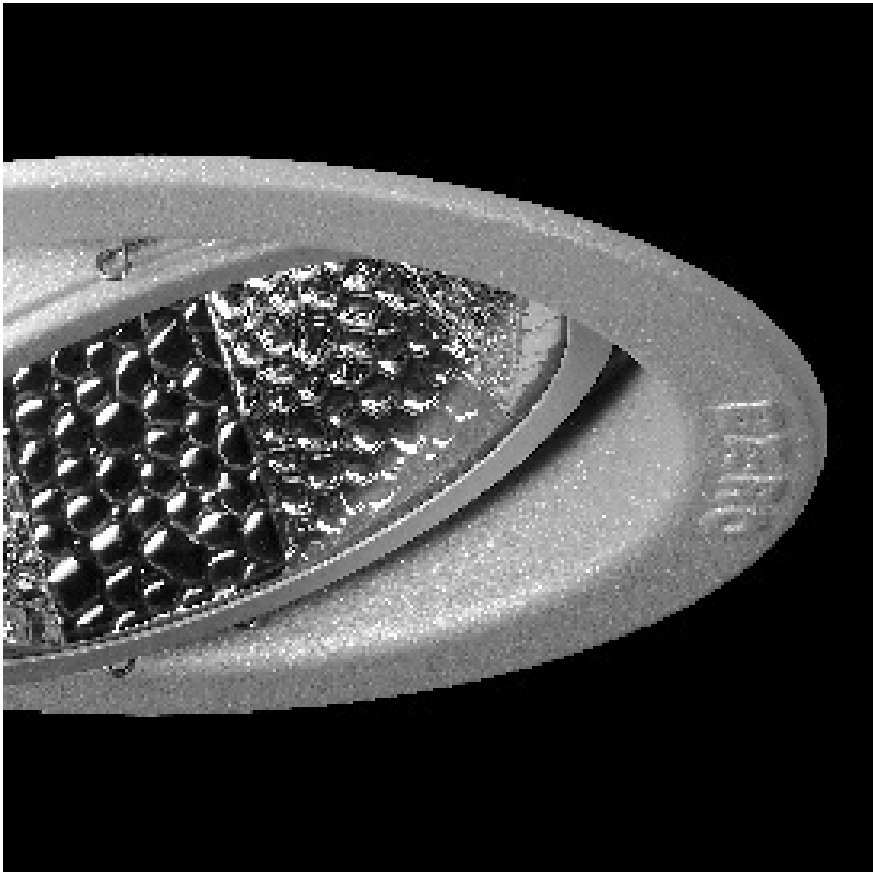


Intara RD 165

Originally designed for lighting sales counters, the circular recessed luminaire family Intara RD 165 has long become a classic all-rounder. The luminaire, previously known under the name Carina, can be infinitely adjusted by up to 30°, thus facilitating precise alignment. With its 165 mm cut-out, the Intara RD 165 is suited to



virtually any installation situation and it is also the smallest luminaire with horizontal lamp in the BÄRO range. The housing and filter holder are made of powder-coated sheet steel and are therefore very robust and durable. The wide fitting ring enables the luminaire to be mounted professionally and neatly, even under difficult

installation conditions. Depending on the lighting requirements, the Intara RD 165 can be fitted with various reflectors and lamps. An LED version is currently being added to the luminaire family. The luminaire is available in strato silver, black and white, in all RAL colours as well as in anodised silver and gold. Additional

visual highlights can be achieved using suitable LED rings, decorative cylinders and decorative plates. Lamps can be changed without the use of tools.





previous page . Rewe Aupperle, Fellbach (D)

left . E center Römerstrasse, Ingolstadt (D)

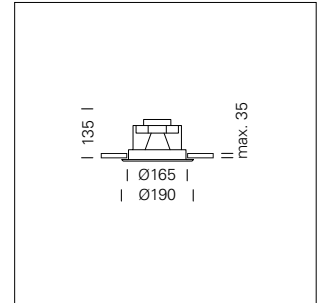
inner right . Optik + Hörgeräte Heinen, Mülheim an der Ruhr (D)

outer right . Bäckerei Strieker, Leichlingen (D)



Intara RD 165

LED
OvalBasic

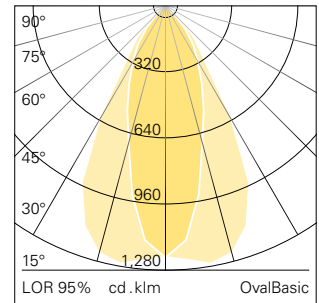


I RD165 S LOB

Recessed luminaire for LED arrays, active cooling, reflector with oval light distribution pattern, 99.99% pure aluminium reflector made of MIRO®, infinitely adjustable, sheet steel luminaire housing, powder-coated, separate driver unit 220-240 V, 50-60 Hz

Lighting technology

Design	Array 35
Light colour	2,500 . 2,700 . 3,000 . 4,000 K
Utilised flux	2,096 . 2,024 . 2,817 . 3,047 lm
System power	46 W
Reflector	OvalBasic
Beam angle	36° x 60°
Reflector colours	Silver



Luminaire

Angle of adjustment	2 x 25°
Weight without driver unit	1.0 kg
Protection rating . Protection class	IP 20 . I
Luminaire colours	■ ■ □

LED	2,500 K	2,700 K
1	0.65 . 1.15	2,854
2	1.30 . 2.30	714
3	1.95 . 3.45	317
4	2.60 . 4.60	178
5	3.15 . 5.75	114
h (m)	Ø (m)	E (lx)

Including

Driver unit
Feed-through wiring set

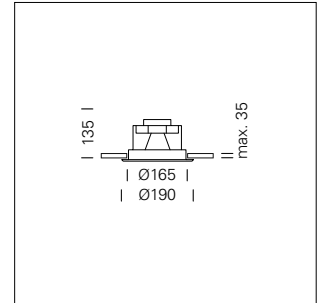
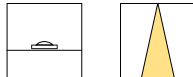
LED	3,000 K	4,000 K
1	0.65 . 1.15	3,932 . 4,025
2	1.30 . 2.30	983 . 1,006
3	1.95 . 3.45	437 . 447
4	2.60 . 4.60	246 . 252
5	3.15 . 5.75	157 . 161
h (m)	Ø (m)	E (lx)

Optional

RAL colours
Mounting accessories

Intara RD 165

LED
Flood 30°

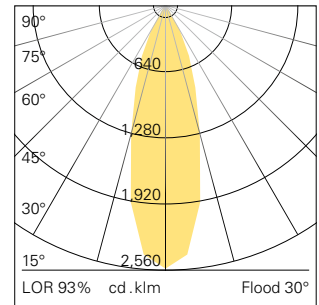


I RD165 S LFL

Recessed luminaire for LED arrays, active cooling, rotationally symmetrical reflector with circular light distribution pattern, 99.99% pure aluminium reflector made of MIRO®, infinitely adjustable, sheet steel luminaire housing, powder-coated, separate driver unit 220-240 V, 50-60 Hz

Lighting technology

Design	Array 35
Light colour	2,500 . 2,700 . 3,000 . 4,000 K
Utilised flux	2,000 . 2,070 . 2,755 . 2,957 lm
System power	46 W
Reflector	Flood
Beam angle	30°
Reflector colours	Silver



Luminaire

Angle of adjustment	2 x 25°
Weight without driver unit	1.0 kg
Protection rating . Protection class	IP 20 . I
Luminaire colours	■ ■ □

LED	2,500 K	2,700 K
1	0.55	6,139
2	1.10	1,535
3	1.65	682
4	2.20	384
5	2.75	246
h (m)	Ø (m)	E (lx)

Including

Driver unit
Feed-through wiring set

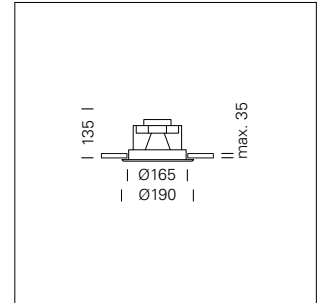
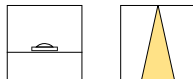
LED	3,000 K	4,000 K
1	0.55	8,306 9,319
2	1.10	2,076 2,330
3	1.65	923 1,035
4	2.20	519 582
5	2.75	332 373
h (m)	Ø (m)	E (lx)

Optional

RAL colours
Mounting accessories

Intara RD 165

LED
Flood 45°

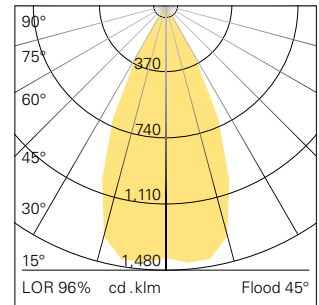


I RD165 S LFL

Recessed luminaire for LED arrays, active cooling, rotationally symmetrical reflector with circular light distribution pattern, 99.99% pure aluminium reflector made of MIRO®, infinitely adjustable, sheet steel luminaire housing, powder-coated, separate driver unit 220-240 V, 50-60 Hz

Lighting technology

Design	Array 35
Light colour	2,500 . 2,700 . 3,000 . 4,000 K
Utilised flux	2,134 . 2,121 . 2,839 . 3,025 lm
System power	46 W
Reflector	Flood
Beam angle	45°
Reflector colours	Silver



Luminaire

Angle of adjustment	2 x 25°
Weight without driver unit	1.0 kg
Protection rating . Protection class	IP 20 . I
Luminaire colours	■ ■ □

LED	2,500 K 2,700 K	
1	0.90	3,190
2	1.80	797
3	2.70	354
4	3.60	199
5	4.50	127
h (m)	Ø (m)	E (lx)

Including

Driver unit
Feed-through wiring set

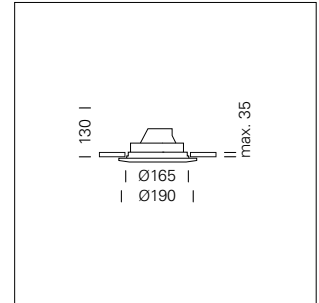
LED	3,000 K 4,000 K	
1	0.90	4,614 4,885
2	1.80	1,154 1,221
3	2.70	513 543
4	3.60	288 305
5	4.50	185 195
h (m)	Ø (m)	E (lx)

Optional

RAL colours
Mounting accessories

Intara RD 165

MBFL
OvalBasic

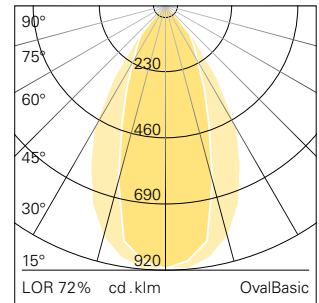


I RD165 S MOB

Recessed luminaire for high-pressure sodium-vapour discharge lamps, horizontal lamp, reflector with oval light distribution pattern, 99.95% pure aluminium reflector, silver reflector made of MIRO®, infinitely adjustable, sheet steel luminaire housing, powder-coated, separate electronic ballast, tool-free lamp change

Lighting technology

Lamp . Lampholder MBFL . HST . GBX12-1
Lamp wattage 50 . 100 W
System power 62 . 112 W
Reflector OvalBasic
Beam angle 40° x 60°
Reflector colours Silver . Nickel-silver



Luminaire

Angle of adjustment 2 x 30°
Weight without driver unit 0.9 kg
Protection rating . Protection class IP 20 . I
Luminaire colours ■ ■ □

MBFL	50 W		100 W	
1	0.70	1.20	2,202	4,497
2	1.40	2.40	551	1,124
3	2.10	3.60	245	500
4	2.80	4.80	138	281
5	3.50	6.00	88	180
h (m)	Ø (m)		E (lx)	

Including

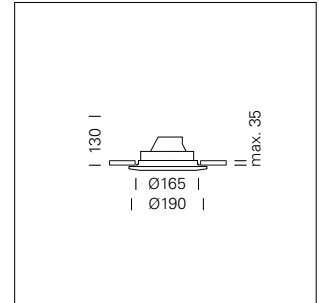
Electronic ballast
Feed-through wiring set

Optional

Lamps
RAL colours . Anodised surface
Filter discs
LED ring
Decorative cylinder
Decorative plate
Mounting accessories

Intara RD 165

MBFL
OvalBeam

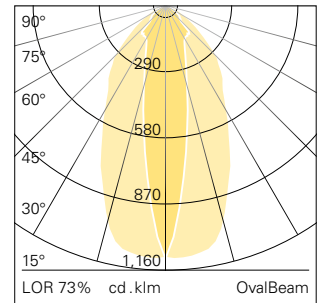


I RD165 S MOM

Recessed luminaire for high-pressure sodium-vapour discharge lamps, horizontal lamp, reflector with elongated oval light distribution pattern, 99.95% pure aluminium reflector, silver reflector made of MIRO®, infinitely adjustable, sheet steel luminaire housing, powder-coated, separate electronic ballast, tool-free lamp change

Lighting technology

Lamp . Lampholder MBFL . HST . GBX12-1
Lamp wattage 50 . 100 W
System power 62 . 112 W
Reflector OvalBeam
Beam angle 20° x 60°
Reflector colours Silver



Luminaire

Angle of adjustment 2 x 30°
Weight without driver unit 0.9 kg
Protection rating . Protection class IP 20 . I
Luminaire colours ■ ■ ■ □

MBFL		50 W		100 W	
1	0.35 . 1.10	2,713	5,539		
2	0.70 . 2.20	678	1,384		
3	1.05 . 3.30	302	616		
4	1.40 . 4.40	170	346		
5	1.75 . 5.50	109	222		
h (m)	Ø (m)	E (lx)			

Including

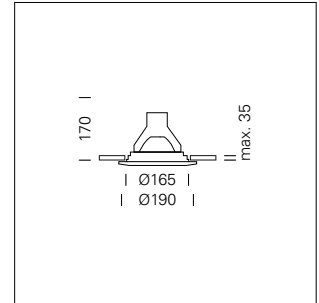
Electronic ballast
Feed-through wiring set

Optional

Lamps
RAL colours . Anodised surface
Filter discs
LED ring
Decorative cylinder
Decorative plate
Mounting accessories

Intara RD 165

MBFL
Spot 20°

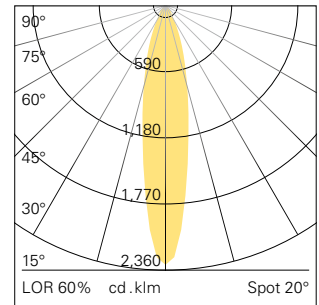


I RD165 S MSP

Recessed luminaire for high-pressure sodium-vapour discharge lamps, vertical lamp, rotationally symmetrical reflector with circular light distribution pattern, 99.95% pure aluminium, infinitely adjustable, sheet steel luminaire housing, powder-coated, separate electronic ballast, tool-free lamp change

Lighting technology

Lamp . Lampholder MBFL . HST . GBX12-1
Lamp wattage 50 . 100 W
System power 62 . 112 W
Reflector Spot
Beam angle 20°
Reflector colours Silver . Nickel-silver



Luminaire

Angle of adjustment 2 x 30°
Weight without driver unit 0.9 kg
Protection rating . Protection class IP 20 . I
Luminaire colours ■ ■ □

MBFL	50 W	100 W
1	0.35	5,578 11,388
2	0.70	1,395 2,847
3	1.05	620 1,265
4	1.40	349 712
5	1.75	223 456
h (m)	Ø (m)	E (lx)

Including

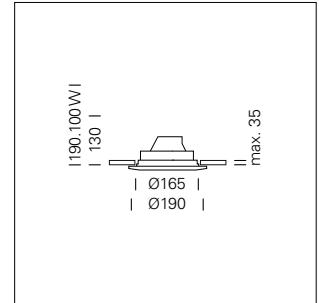
Electronic ballast
Feed-through wiring set

Optional

Lamps
RAL colours . Anodised surface
Filter discs
LED ring
Decorative cylinder
Decorative plate
Mounting accessories

Intara RD 165

BBS . eBFL
OvalBasic

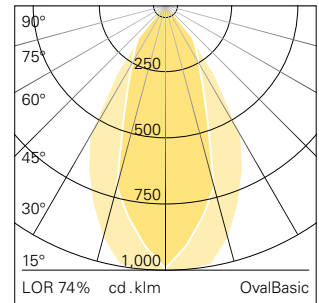


I RD165 S BOB

Recessed luminaire for metal halide lamps, horizontal lamp, reflector with oval light distribution pattern, 99.95% pure aluminium reflector, silver reflector made of MIRO®, infinitely adjustable, sheet steel luminaire housing, powder-coated, separate electronic ballast, tool-free lamp change

Lighting technology

Lamp . Lampholder BBS . e-BFL . HIT G12
Lamp wattage 35 . 50 . 70 . 100 W
System power 43 . 56 . 80 . 109 W
Reflector OvalBasic
Beam angle 40° x 60°
Reflector colours Silver . Nickel-silver



Luminaire

Angle of adjustment 2 x 30°
Weight without driver unit 0.9 kg
Protection rating . Protection class IP 20 . I
Luminaire colours

BBS	35W		50W	
1	0.70	1.20	4,061	5,482
2	1.40	2.40	1,015	1,371
3	2.10	3.60	451	609
4	2.80	4.80	254	343
5	3.50	6.00	162	219
h (m)	Ø (m)		E (lx)	

Note

The luminaire must be used with protective glass or a filter disc

Including

Electronic ballast
Feed-through wiring set
Protective glass

BBS	70W		100W	
1	0.70	1.20	7,919	11,167
2	1.40	2.40	1,980	2,792
3	2.10	3.60	890	1,241
4	2.80	4.80	495	698
5	3.50	6.00	316	447
h (m)	Ø (m)		E (lx)	

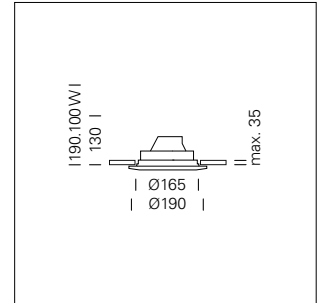
Optional

Lamps
RAL colours . Anodised surface
Filter discs
LED ring
Decorative cylinder
Decorative plate
Mounting accessories

e-BFL	50W		70W	
1	0.70	1.20	4,061	6,091
2	1.40	2.40	1,015	1,523
3	2.10	3.60	451	677
4	2.80	4.80	254	381
5	3.50	6.00	162	244
h (m)	Ø (m)		E (lx)	

Intara RD 165

BBS . eBFL
OvalBeam

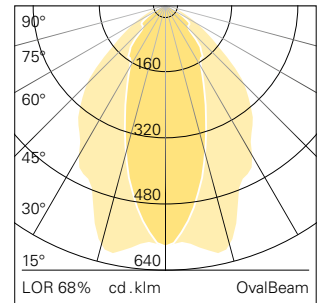


I RD165 S BOM

Recessed luminaire for metal halide lamps, horizontal lamp, reflector with elongated oval light distribution pattern, 99.95% pure aluminium reflector, silver reflector made of MIRO®, infinitely adjustable, sheet steel luminaire housing, powder-coated, separate electronic ballast, tool-free lamp change

Lighting technology

Lamp . Lampholder BBS . e-BFL . HIT G12
Lamp wattage 35 . 50 . 70 . 100 W
System power 43 . 56 . 80 . 109 W
Reflector OvalBeam
Beam angle 40° x 80°
Reflector colours Silver



Luminaire

Angle of adjustment 2 x 30°
Weight without driver unit 0.9 kg
Protection rating . Protection class IP 20 . I
Luminaire colours

BBS	35W		50W	
1	0.70	1.75	2,411	3,255
2	1.40	3.50	603	814
3	2.10	5.25	268	362
4	2.80	7.00	151	203
5	3.50	8.75	96	130
h (m)	Ø (m)		E (lx)	

Note

The luminaire must be used with protective glass or a filter disc

Including

Electronic ballast
Feed-through wiring set
Protective glass

BBS	70W		100W	
1	0.70	1.75	4,701	6,630
2	1.40	3.50	1,175	1,658
3	2.10	5.25	522	737
4	2.80	7.00	294	414
5	3.50	8.75	188	265
h (m)	Ø (m)		E (lx)	

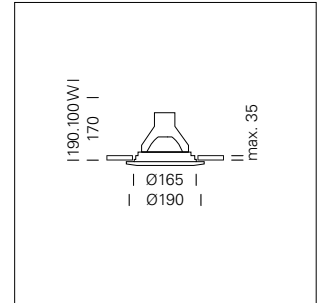
Optional

Lamps
RAL colours . Anodised surface
Filter discs
LED ring
Decorative cylinder
Decorative plate
Mounting accessories

e-BFL	50W		70W	
1	0.70	1.75	2,411	3,617
2	1.40	3.50	603	904
3	2.10	5.25	268	402
4	2.80	7.00	151	226
5	3.50	8.75	96	145
h (m)	Ø (m)		E (lx)	

Intara RD 165

BBS . eBFL
Spot 20°

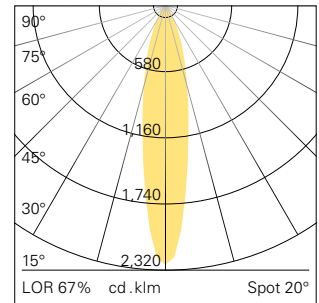


I RD165 S BSP

Recessed luminaire for metal halide lamps, vertical lamp, rotationally symmetrical reflector with circular light distribution pattern, 99.95% pure aluminium reflector, infinitely adjustable, sheet steel luminaire housing, powder-coated, separate electronic ballast, tool-free lamp change

Lighting technology

Lamp . Lampholder BBS . e-BFL . HIT G12
Lamp wattage 35 . 50 . 70 . 100 W
System power 43 . 56 . 80 . 109 W
Reflector Spot
Beam angle 20°
Reflector colours Silver . Nickel-silver



Luminaire

Angle of adjustment 2 x 30°
Weight without driver unit 0.9 kg
Protection rating . Protection class IP 20 . I
Luminaire colours ■ ■ ■

BBS		35 W	50 W
1	0.35	9,121	12,314
2	0.70	2,280	3,078
3	1.05	1,014	1,368
4	1.40	570	770
5	1.75	365	493
h (m)	Ø (m)	E (lx)	

Note

The luminaire must be used with protective glass or a filter disc

Including

Electronic ballast
Feed-through wiring set
Protective glass

BBS		70 W	100 W
1	0.35	17,786	25,083
2	0.70	4,447	6,271
3	1.05	1,976	2,787
4	1.40	1,112	1,568
5	1.75	712	1,003
h (m)	Ø (m)	E (lx)	

Optional

Lamps
RAL colours . Anodised surface
Filter discs
LED ring
Decorative cylinder
Decorative plate
Mounting accessories

e-BFL		50 W	70 W
1	0.35	9,121	13,682
2	0.70	2,280	3,421
3	1.05	1,014	1,520
4	1.40	570	855
5	1.75	365	547
h (m)	Ø (m)	E (lx)	