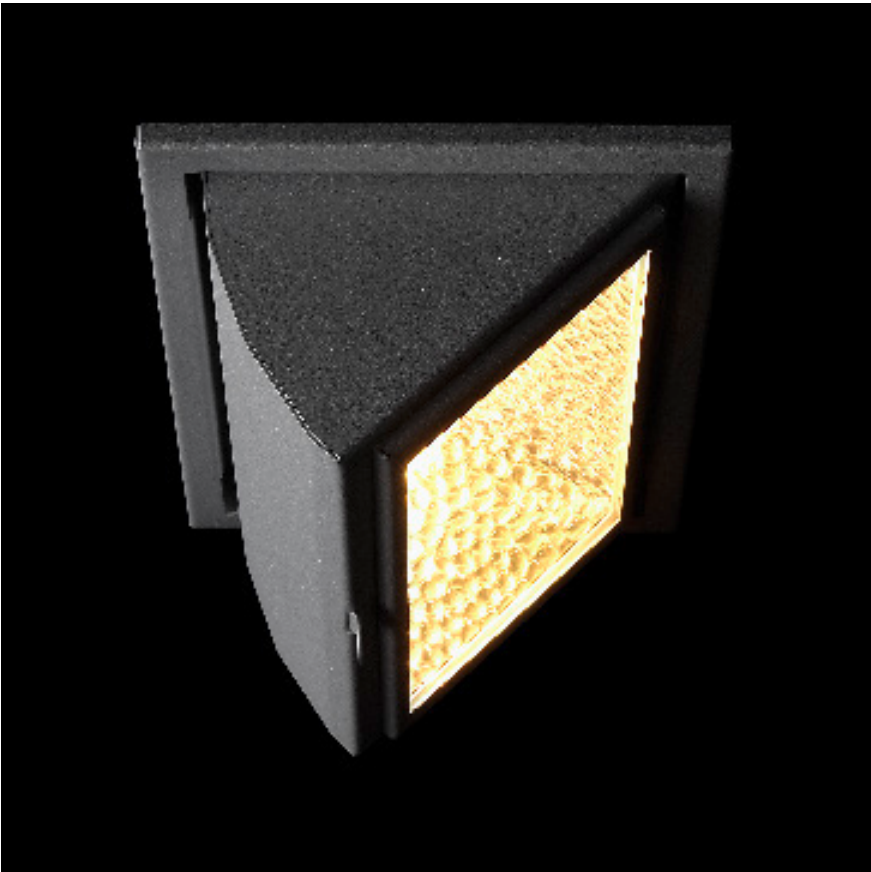


Intara RC 200

The compact Intara RC 200 recessed luminaire is especially well-suited to cramped installation locations as well as to lighting tasks where objects have to be illuminated from a steep angle or from a short distance away. In order to be even more flexible in this particular area of application, the dimensions of the luminaire,



formerly known as the Omega, have been reduced significantly within the framework of the model upgrade. The Intara RC 200 can be adjusted to an angle of 30°, in 5° steps. When fitted with a WideWing reflector, the luminaire is mainly suitable for uniform lighting of long angled and vertical areas. As the luminaire is frequently

fitted in cabinets or the top sections of displays, it is available with MBFL lamps up to 100 watt as well as BBS lamps up to 70 watt. All lamps can be changed without the need for tools. The housing and the magnetically fixed filter holder of the Intara RC 200 are made of powder-coated sheet steel. The luminaire is available

in strato silver, black and white as standard as well as in all RAL colours to allow it to be coordinated with the individual fittings/spatial concept.



Intara RC 200

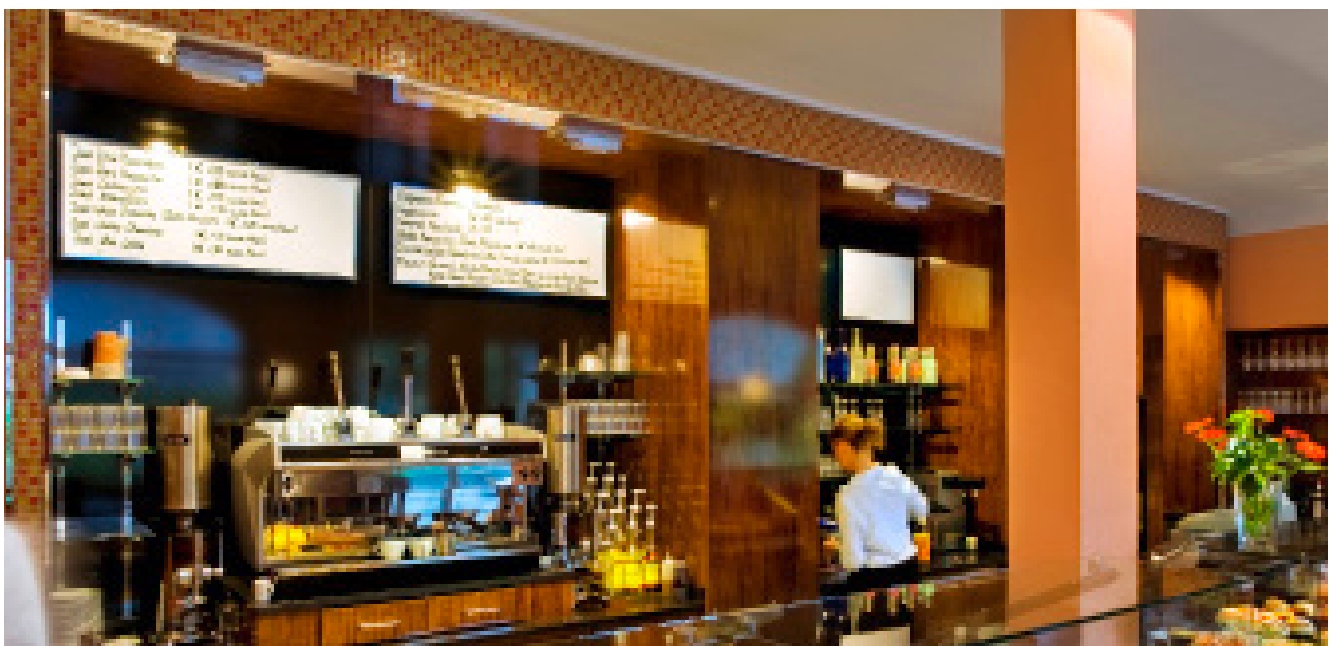


previous page . Café Rhein, Simmern (D)

left . Culina Feinkost, Dresden (D)

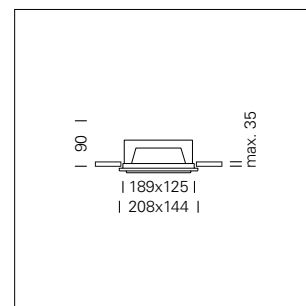
top right . Bäckerei Erna Beck, Ansbach (D)

bottom right . Bäckerei Strieker, Leichlingen (D)



Intara RC 200

MBFL
WideWing

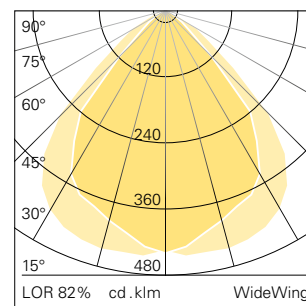


I RC265 S MWX

Recessed luminaire for high-pressure sodium-vapour discharge lamps, horizontal lamp, reflector with virtually square light distribution pattern, 99.95% pure aluminium reflector, silver reflector made of MIRO®, adjustable and pivotable in steps, sheet steel luminaire housing, die cast aluminium lampholder, powder-coated, separate electronic ballast, tool-free lamp change

Lighting technology

Lamp . Lampholder MBFL . HST . GBX12-1
Lamp wattage 50 . 100 W
System power 62 . 112 W
Reflector WideWing
Beam angle 80° x 95°
Reflector colours Silver . Nickel-silver



Luminaire

Angle of adjustment 30°
Weight without driver unit 0.9 kg
Protection rating . Protection class IP 20 . I
Luminaire colours ■ ■ □

MBFL	50 W		100 W	
1	1.70	2.15	1,059	2,161
2	3.40	4.30	265	540
3	5.10	6.45	118	240
4	6.80	8.60	66	135
5	8.50	10.75	42	86
h (m)	Ø (m)		E (lx)	

Including

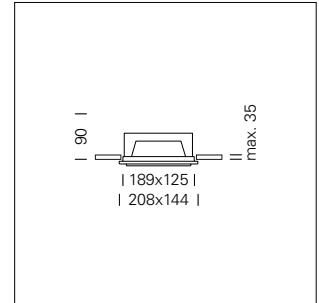
Electronic ballast
Feed-through wiring set

Optional

Lamps
RAL colours
Filter discs
Mounting accessories

Intara RC 200

BBS . e-BFL
WideWing

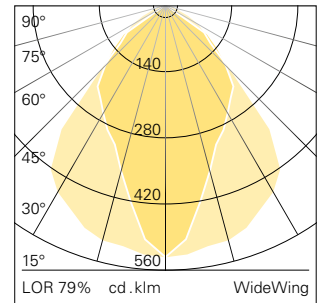


I RC265 S BWX

Recessed luminaire for metal halide lamps, horizontal lamp, reflector with virtually square light distribution pattern, 99.95% pure aluminium reflector, silver reflector made of MIRO®, adjustable and pivotable in steps, sheet steel luminaire housing, die cast aluminium lampholder, powder-coated, separate electronic ballast, tool-free lamp change

Lighting technology

Lamp . Lampholder BBS . e-BFL . HIT G12
Lamp wattage 35 . 50 . 70 W
System power 43 . 56 . 80 W
Reflector WideWing
Beam angle 60° x 85°
Reflector colours Silver . Nickel-silver



Luminaire

Angle of adjustment 30°
Weight without driver unit 0.9 kg
Protection rating . Protection class IP 20 . I
Luminaire colours

BBS		35W	50W
1	1.10 . 1.85	2,140	2,889
2	2.20 . 3.70	535	722
3	3.30 . 5.55	238	321
4	4.40 . 7.40	134	181
5	5.50 . 9.25	86	116
h (m)	Ø (m)	E (lx)	

Note

The luminaire must be used with protective glass or a filter disc

Including

Electronic ballast
Feed-through wiring set
Protective glass

BBS		70W
1	1.10 . 1.85	4,069
2	2.20 . 3.70	1,017
3	3.30 . 5.55	452
4	4.40 . 7.40	254
5	5.50 . 9.25	163
h (m)	Ø (m)	E (lx)

Optional

Lamps
RAL colours
Filter discs
Mounting accessories

e-BFL		50W	70W
1	1.10 . 1.85	2,140	3,210
2	2.20 . 3.70	535	803
3	3.30 . 5.55	238	357
4	4.40 . 7.40	134	201
5	5.50 . 9.25	86	128
h (m)	Ø (m)	E (lx)	